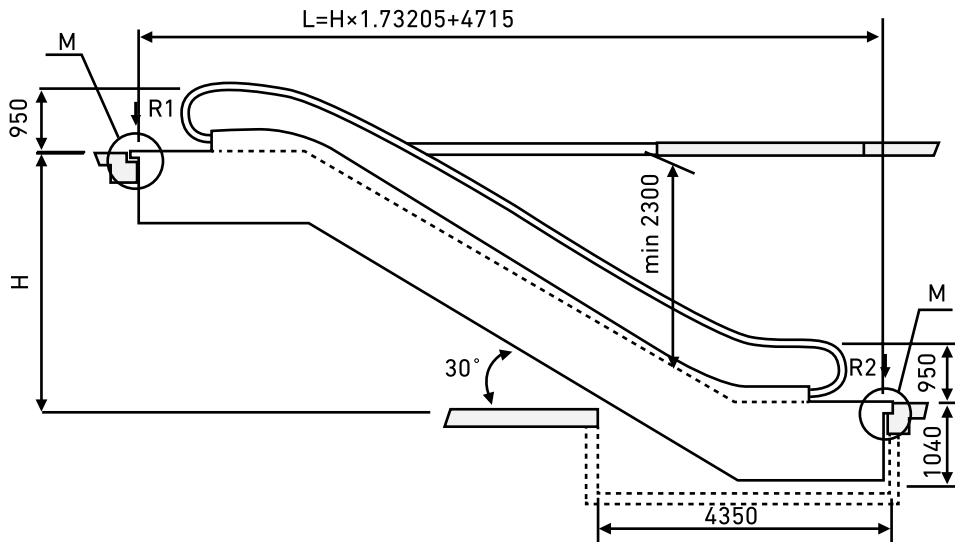
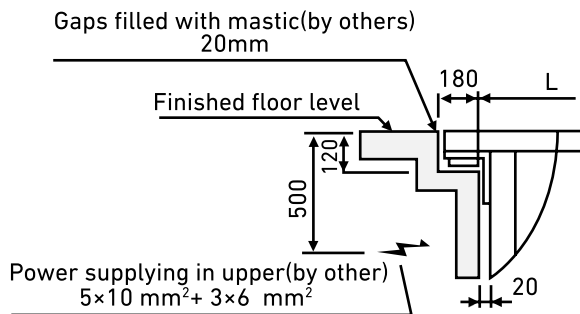


SATCHI ESCALATORS

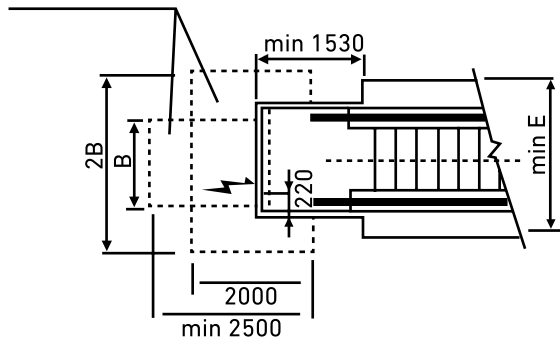
SE 30 commercial / slimline escalator



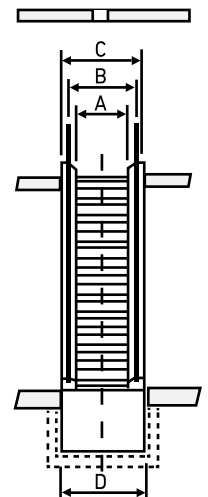
Detail M



Exit clear floor access area

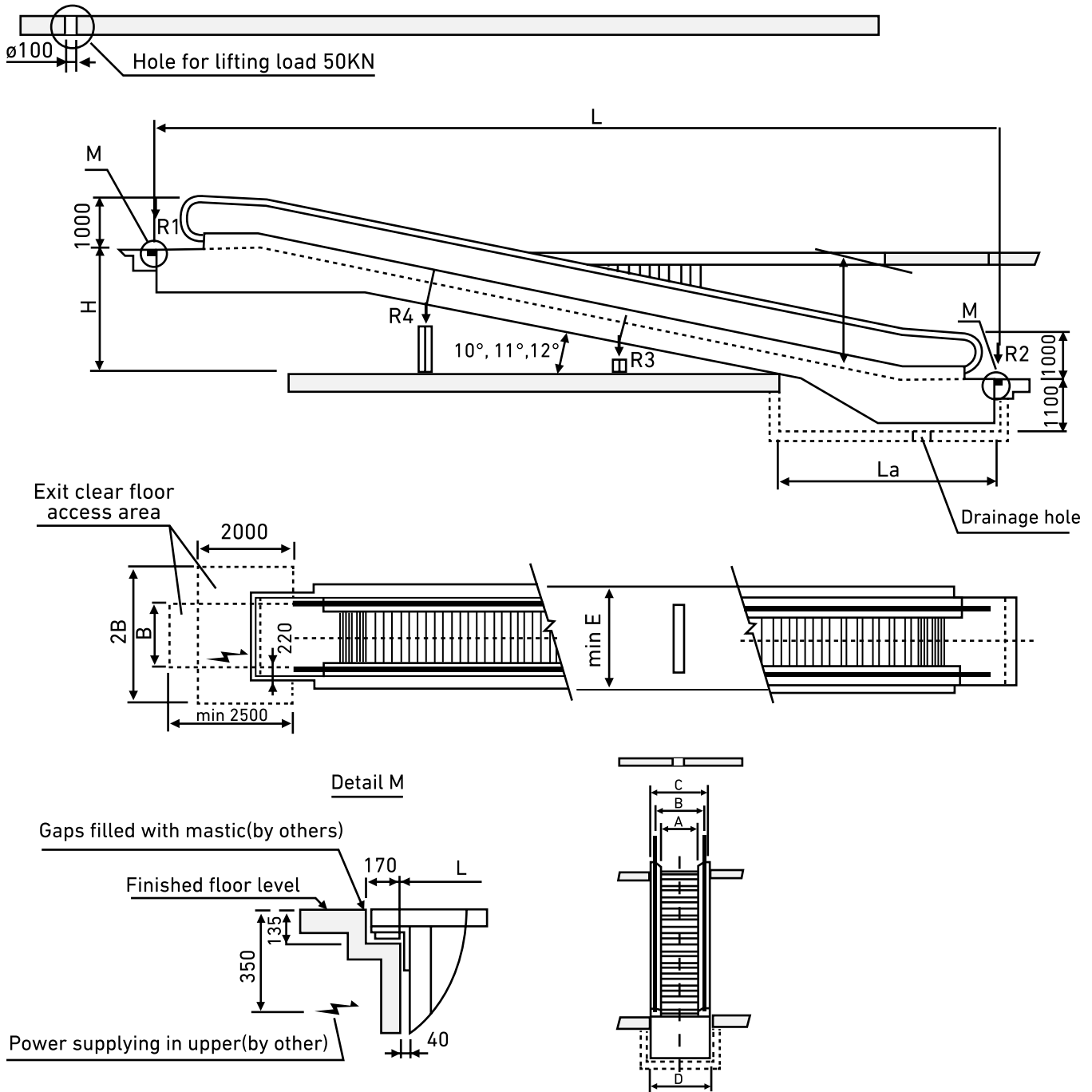


Type	A	B	C	D	E	Speed
SE 30 -600 4500 p/h	600	910	1195	1250	1910	V=0.5m/s
SE 30 -800 6750 p/h	800	1110	1395	1450	2110	
SE 30 -1000 9000 p/h	1000	1310	1595	1650	2310	



SATCHI ESCALATORS

S c 10° ~ 12° commercial passenger - conveyor



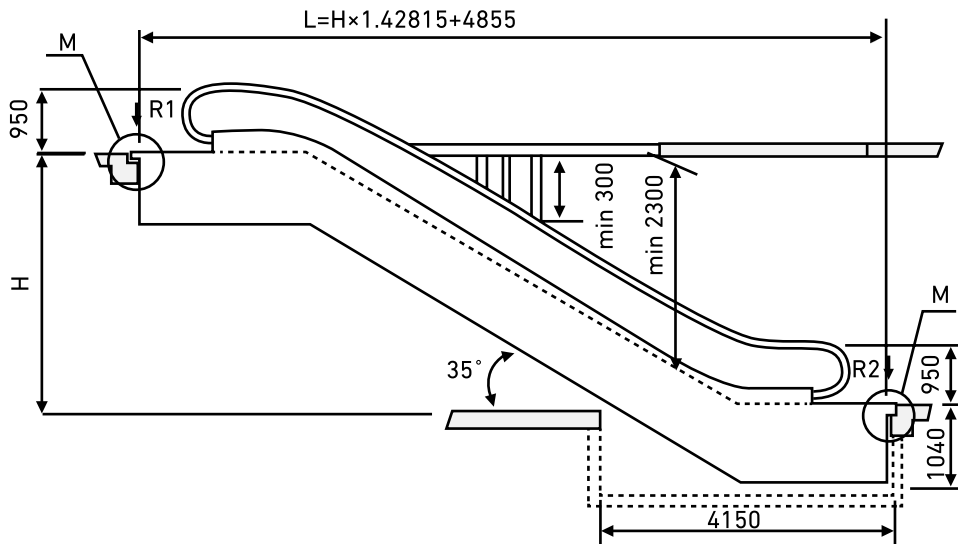
Type	A	B	C	D	E	K1	K2	Speed
SC-800	800	1110	1400	1460	2110	15000	30000	V=0.5m/s
SC-1000	1000	1310	1600	1660	2310	15000	30000	

Incline	10	11	12
L	H×3855+5.6713	H×3703+5.1446	H×3577+4.7046
La	5850	5550	5300

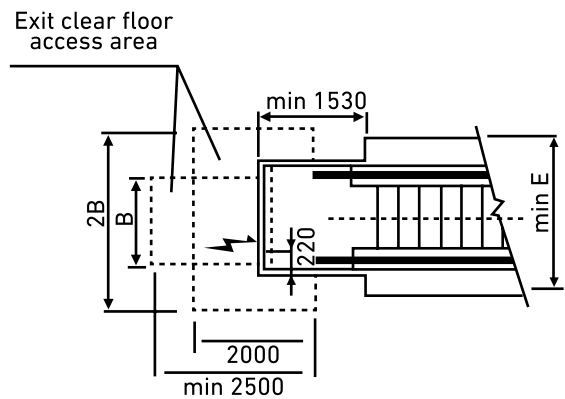
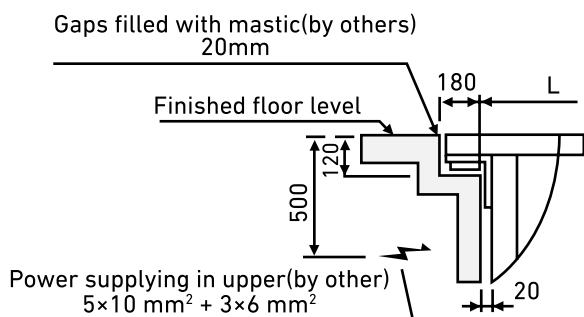
- All dimensions in (mm).
- AS $L > K1$, one intermediate support is needed;
- AS $L > K2$, two intermediate support is needed.

SATCHI ESCALATORS

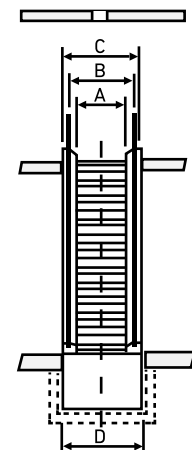
SE 35 commercial / slimline escalator



Detail M



Type	A	B	C	D	E	Speed
SE 35 -600 4500 p/h	600	830	1195	1250	1830	V=0.5m/s
SE 35 -800 6750 p/h	800	1030	1395	1450	2030	
SE 35 -1000 9000 p/h	1000	1230	1595	1650	2230	



- All dimensions in (mm).
- When the width of step A=600mm, the truss must be extended by 433mm.
- If add horizontal step, it must add the horizontal length correspondingly.