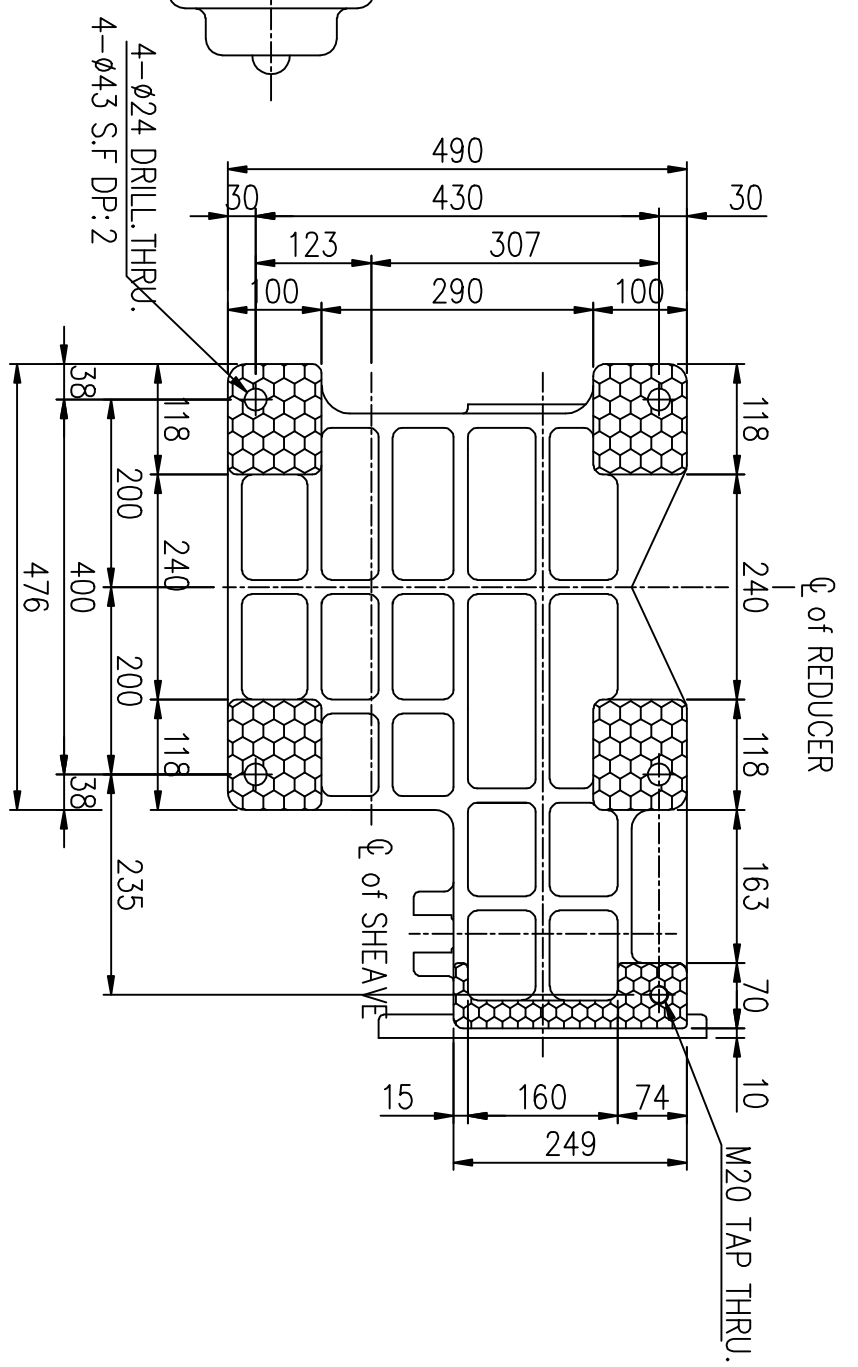
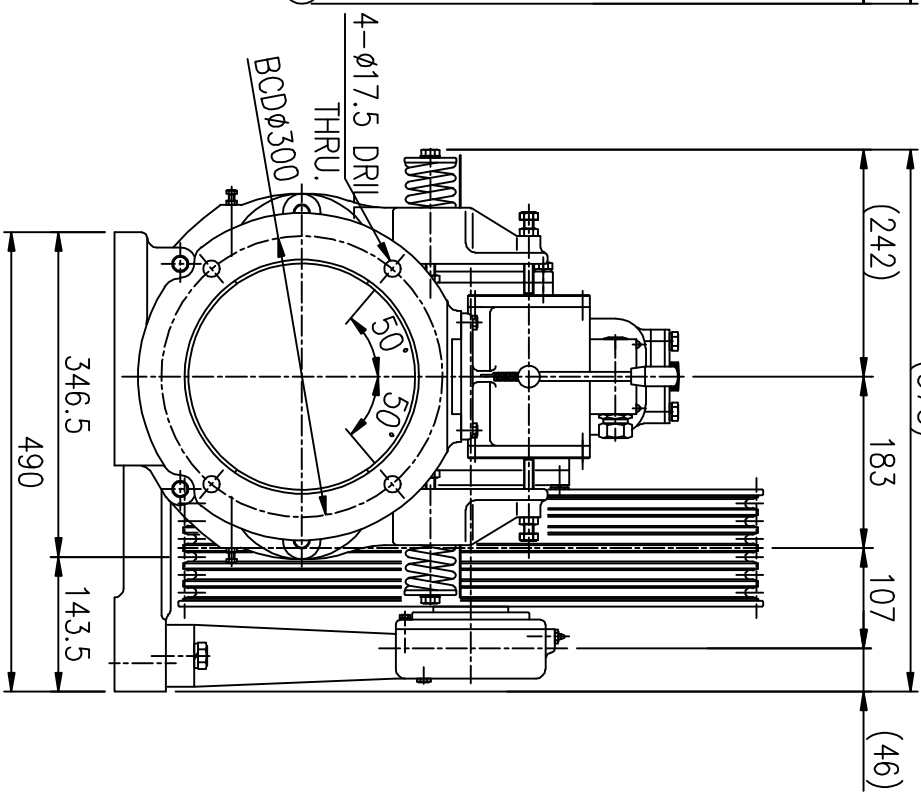
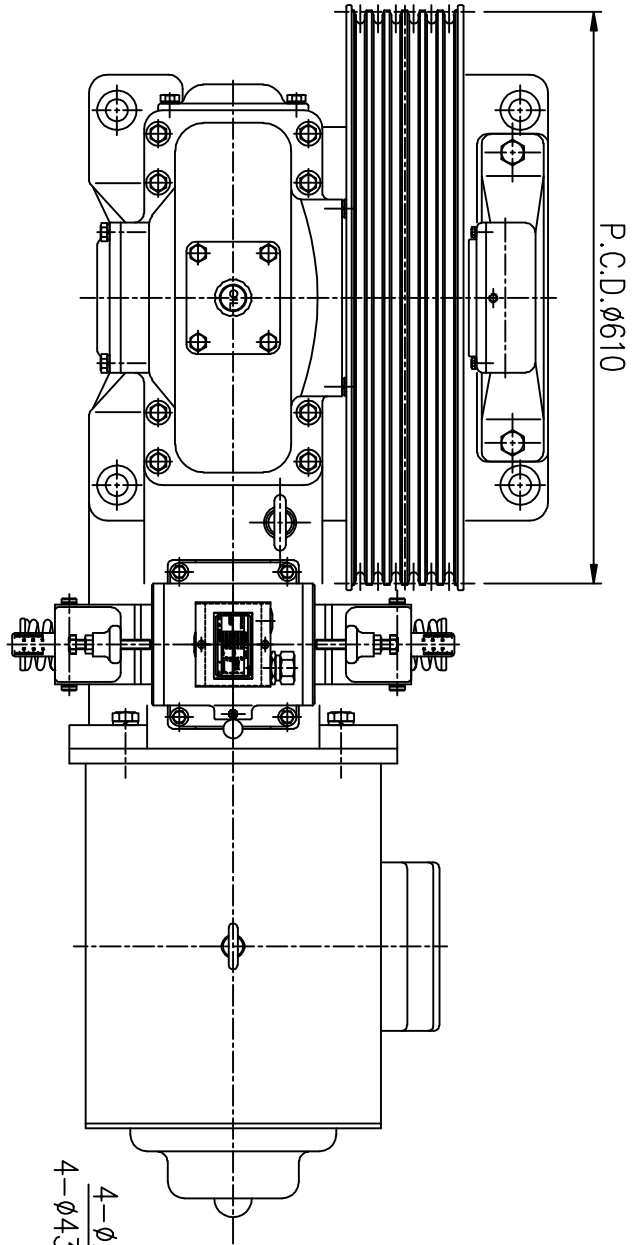
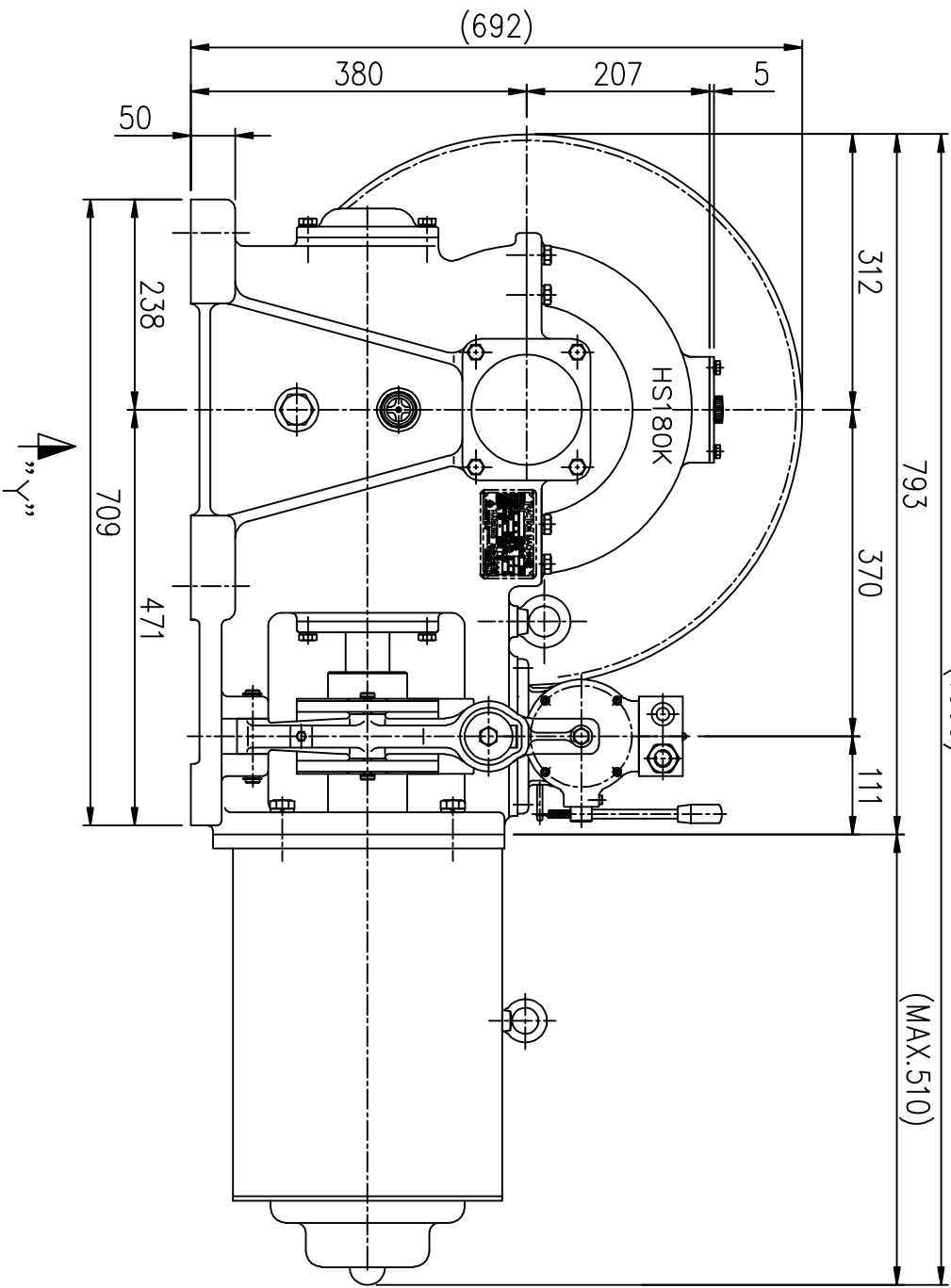


Geared traction machine / HS180K



VIEW "y"